



Contact Us: Joan Liu
Address: 7/3 Audsley St Clayton South Vic 3168
Mob/WhatsApp: 0432296638
Office Tel: 0432296638
Email: Magictrailersworld@gmail.com
Web: www.magictrailer.com.au

MAGIC TRAILERS WORLD



NEW HOPE TRADING PTY LTD

www.magictrailer.com.au

COMPANY PROFILE

NEW HOPE TRADING PTY LTD t/as Magic Trailers World is a professional supplier of caravan trailers and RV accessories with well-equipped testing facilities and strong technical force.

Our main products are RV door, window, skylight, roof hatch, luggage door, picnic table, step, water tank, air vent etc.. Apart from RV industry,our products are widely applied to other types of vehicles with more than 10 years' development

With our rich experience in the RV industry,our products have been being welcomed by customers both home and abroad since the establishment of the company. In order to meet customers' different demand, we provide service for producing according to the customers drawings, samples, materials.

Our customers over the world like Thailand , United Arab Eminates ,Australian and middle east ect . by adhering to the principle of “Customer-centered, Quality First, Unremitting innovation” , Our brand are widely recognized and trusted by users and can meet continuously changing economic and social needs. We welcome new and old customers from all walks of life to contact us for future business relationships and mutual success.



CONTENTS

MT RV ENTRY DOOR (WITH CARD SYSTEM)	01
Teardrop Trailer Door	02
MTRW RV Right Angle Window.....	03
MTRW RV Round Corner Side Window	05
MTRW-SL RV Sliding Window.....	07
MTRW-FW Frame-less Window	08
MTFW RV Fixed Window	09
MTTW RV Skylight	10
MTSL RV LED Skylight	10
MTSLRV Skylight	11
MTRH Roof Hatch	12
MTLD RV Access Door	13
MTABS Access Door	14
MTRS RV Folding Step	14
MTWT Water Tank.....	15
MTAV Air Vent.....	16
MTPT Picnic Table	17
Economical Full Cassette RV Awning W5500.....	18
CARAVAN AWNING W5700/W5700C	19
Caravan Awning W5900.....	20

MT RV ENTRY DOOR (WITH CARD SYSTEM)

Description

- Main material: High tensile aluminum alloy
- Anti-UV aluminum sandwich panel
- Double glazing acrylic glass or tempered glass door window (with 3C or ECE)
- Stainless steel screen door
- Color: Door Frame: white(standard), black, silver gray
- Door Panel:white outer panel, white inner panel
- Glass: transparent gray
- Screen door: black or white
- Door lock: black
- For wall thickness: 30-40mm(install rubber trim for >40mm)
- Optional accessory: door stopper, decorative rubber trim, air vent, card machine
- Features:
 - Combined mechanical lock and card system
 - Two ways for opening
 - Effective access time can be set by the card system
 - Customized sizes are available

Main Functions

Open, close, lock, ventilate,allow sunlight in, prevent insects.
With good sound-proof, heat- insulation,water-proof performance.

Main Applications

Travel trailer parked in camping ground.

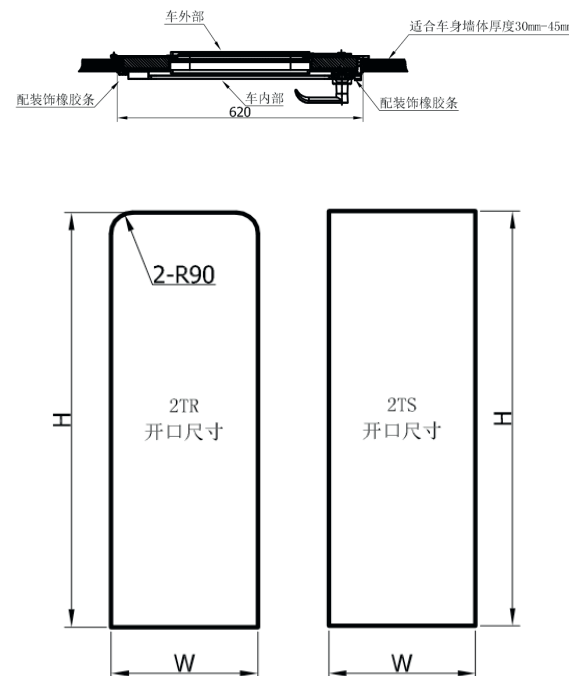
Specifications

Ser.	Ordering Size (WXH, mm)	Overall Size (WXH, mm)	Cut Hole Corner Radius
1	622X1822	652X1852	2 upper corner R90 4-R90 4 right angles
2	620X1800	650X1830	
3	620X1850	650X1880	
4	610X1800	640X1830	
5	620X1750	650X1780	
6	620X1700	650X1730	
7	650X1800	680X1830	
8	760X1908	790X1938	
Other sizes can be made after discussion			

W: width of door fitting surface; H: height of door fitting surface,unit:mm.



Fitting Diagram



Teardrop Trailer Door



Production Description

- Main Material:** high tensile aluminum alloy frame
- Anti-UV aluminum sandwich panel
- Double glazing acrylic glass or tempered glass window(with 3C or ECE certificate)
- Metal mesh, nylon screen inner door
- Color:** black, white, silver gray
- Features:** variety types and customized sizes for choosing
- Optional Accessory:** Window, screen door, air vent, lock with card system etc..

Main Functions

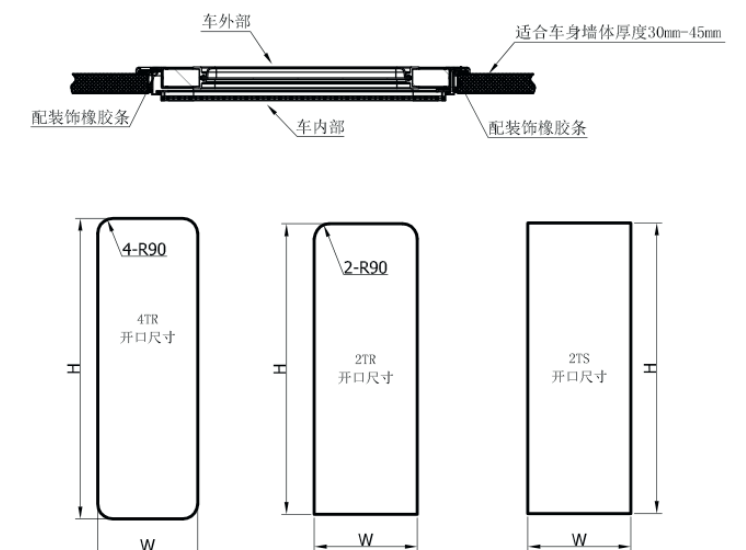
Open, close,lock,ventilate, insulate, allow sunlight in, prevent insects, and good water seal.

Available Sizes

Ser	Ordering Size (WXH, mm)
1	620x900
2	620x950
3	620x1000
4	620x1050
5	620x1100
6	620x1200
7	650x950
8	620x1300
9	700x1200
Customized sizes are available	

W:width of the door fitting surface, H: height of the door fitting surface, unit:mm.

Fitting Diagram



MTRW RV Right Angle Window



Product Description

Type: top-hung window, side window

Main Material: Aluminum or AS outer frame

ABS inner frame

Double glazing anti-UV acrylic glass

Color:Outer frame: black(standard), white, silver gray

Inner frame:white

Glass: transparent gray

Maximum opening angle: 70 degree

Fitting: adjustable, 25-35mm (standard)

Other thickness can be made as customers' requests.

Features: · Simple and quick clapping installation can save the installation time

· Without screw holes on the inner frame surface

· Variety sizes for choosing

· Easy to open and close, can set into several positions

Main Function

Open,close,ventilate,insulate, provide privacy,allow sunlight in, prevent insects, and good water seal. It can act as emergency exit, when the screen and blind are unlocked and window open.

Main Applications

Caravan, modified vehicle, special vehicle and flat surface building.

Optional Supporting Bars

Flexible Position type



Fixed Position Type



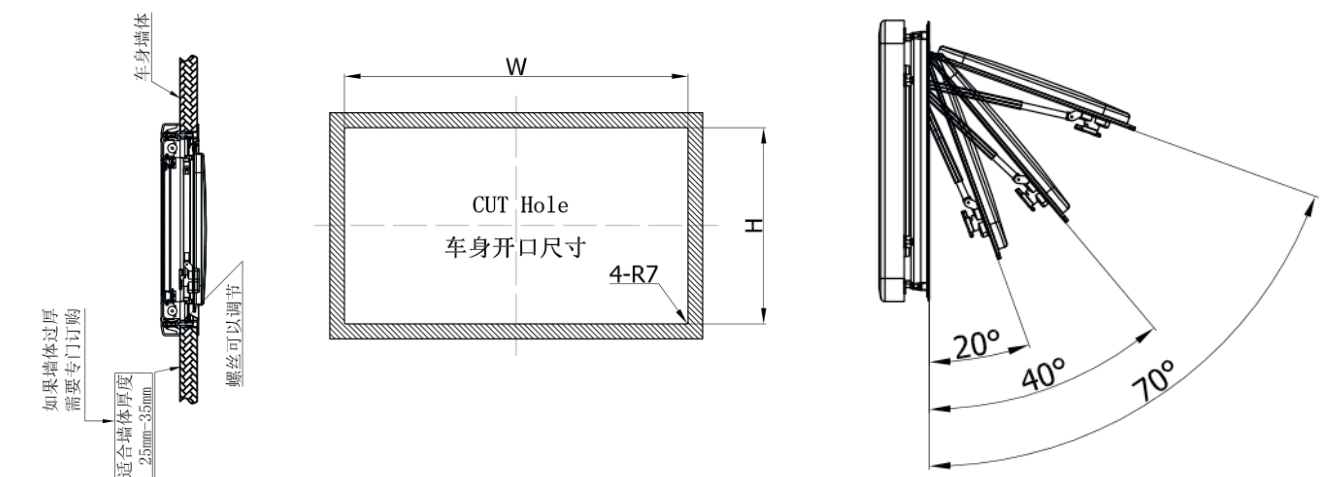
Specifications

Ser.	Ordering Size (WXH, mm)	Cut Hole Size (WXH, mm)	Overall Size (WXH, mm)	Cut Hole Corner Radius(Aluminum Outer Frame)	Net Weight (KG)
1	350X280	350X280	380X310	4-R7	2.80
2	500X300	500X300	530X330	4-R7	3.60
3	300X500	300X500	330X530	4-R7	3.60
4	500X350	500X350	530X380	4-R7	4.04
5	350X500	350X500	380X530	4-R7	4.04
6	500X450	500X450	530X480	4-R7	4.68
7	450X500	450X500	480X530	4-R7	4.68
8	500X500	500X500	530X530	4-R7	5.10
9	600X600	600X600	630X630	4-R7	6.10
10	700X400	700X400	730X430	4-R7	5.56
11	700X800	700X800	730X830	4-R7	8.48
12	800X500	800X500	830X530	4-R7	6.92
13	900X450	900X450	930X480	4-R7	7.16
14	900X500	900X500	930X530	4-R7	7.66
15	900X550	900X550	830X580	4-R7	8.10
16	900X900	900X900	930X930	4-R7	11.02
17	1000X500	1000X500	1030X530	4-R7	8.26
18	1000X600	1000X600	1030X630	4-R7	9.20
19	1000X800	1000X800	1030X830	4-R7	11.14
20	1100X450	1100X450	1130X480	4-R7	8.60
21	1100X550	1100X550	1130X580	4-R7	9.58
22	1200X350	1200X350	1230X380	4-R7	7.00
23	1200X500	1200X500	1230X530	4-R7	9.80
24	1200X700	1200X700	1230X730	4-R7	11.50
25	1450X550	1450X550	1480X580	4-R7	11.72

The cut hole for ASA outer frame is 4-R15.

W:width of the window fitting surface, unit:mm;, height of the window fitting surface.

Fitting Diagram



MTRW RV Round Corner Side Window

Model:MG17RW-AG(double glazing acrylic glass)
MG17RW-TG(Flat Tempered Glass)

Product Description

Type: top-hung window, side window

Main Material: aluminum outer frame

ABS inner frame

Double glazing acrylic glass

Or tempered glass

Color: outer frame: black, white, silver gray

Inner frame: white or beige

Glass: transparent gray

Maximum Opening Angle: 70°

Installation Method: with separate installation frame

Fitting: adjustable,25-35mm, 32-42mm (standard window)

Other thickness can be customized as customer' s request

Features: · Easy for installation

- Outer frame and inner frames are assembled separately
- Two type glass and two type support rod for choosing
- Variety standard sizes for choosing
- Customized sizes can be made.

Main Functions

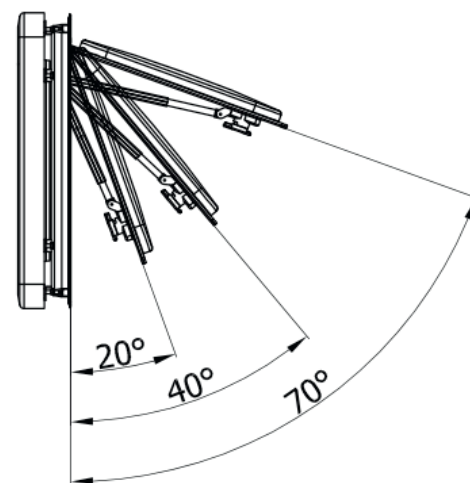
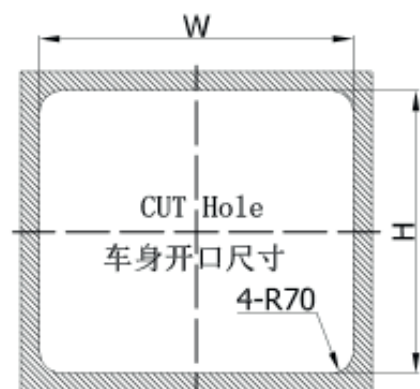
Open,close,ventilate,insulate, provide privacy,allow sunlight in, prevent insects, and good water seal. It can act as emergency exit, when the screen and blind are unlocked and window open.

Main Applications

Caravan, trailer, modified vehicle, special vehicle etc..



Fitting Diagram



Specifications

Ser.	Ordering Size (WXH, mm)	Cut Hole Size (WXH, mm)	Overall Size (WXH, mm)	Cut Hole Corner Radius	Net Weight (KG)
1	500X300	500X300	530X330	4-R70	3.4
2	300X500	300X500	330X530	4-R70	3.4
3	500X350	500X350	530X380	4-R70	3.8
4	350X500	350X500	380X530	4-R70	3.8
5	500X450	500X450	530X480	4-R70	4.4
6	450X500	450X500	480X530	4-R70	4.4
7	500X500	500X500	530X530	4-R70	4.7
8	610X450	610X450	640X480	4-R70	4.8
9	600X600	600X600	630X630	4-R70	4.6
10	700X300	700X300	730X330	4-R70	4.4
11	700X400	700X400	730X430	4-R70	5.3
12	700X500	700X500	730X530	4-R70	5.7
13	700X550	700X550	730X580	4-R70	6.1
14	800X400	800X400	830X430	4-R70	6.4
15	800X500	800X500	830X530	4-R70	6.6
16	900X450	900X450	930X480	4-R70	6.5
17	900X500	900X500	930X530	4-R70	7.5
18	900X550	900X550	830X580	4-R70	8.5
19	900X900	900X900	930X930	4-R70	10.8
20	1000X500	1000X500	1030X530	4-R70	8.8
21	1000X600	1000X600	1030X630	4-R70	8.9
22	1000X800	1000X800	1030X830	4-R70	9.3
23	1100X450	1100X450	1130X480	4-R70	8.3
25	1100X550	1100X550	1130X580	4-R70	9.2
26	1200X350	1200X350	1230X380	4-R70	7.3
27	1200X500	1200X500	1230X530	4-R70	9.3
28	1450X550	1450X550	1480X580	4-R70	10.9
Other customized sizes can be made after discussion.					

W: width of the fitting surface; H: height of the fitting surface, unit: mm.

MTRW-SL RV Sliding Window

Description

Main Material: aluminum outer frame;ABS inner frame; tempered glass

Color: Outer frame: black(standard), white, silver gray

Inner frame: white

Glass: transparent

Insect net: black or white

Sun blind: white

Fitting: adjustable,25-35mm(standard)

Other thickness can be fitted by customized treatment

Features: · Easy and quick for installation

· Various standard sizes for choosing

· Customized sizes are available

Main Functions

Open,close,ventilate,insulate, provide privacy,allow sunlight in, prevent insects, and good water seal.

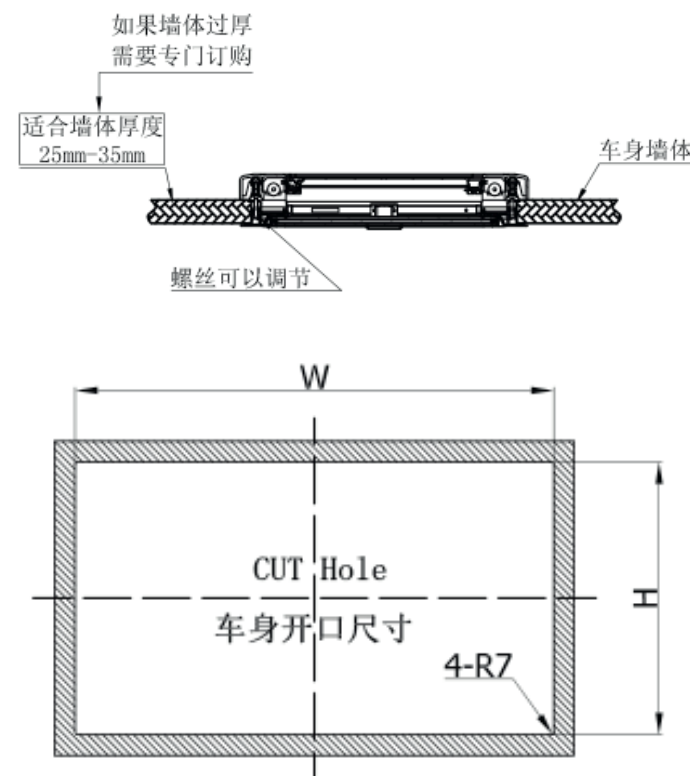
Main Applications

Caravan, trailer, modified vehicle, special vehicle and flat surface building.

Specifications

Ser.	Ordering Size (WXH, mm)	Overall Size (WXH, mm)	Cut Hole Corner Radius
1	500X350	530X380	4-R7
2	500X450	530X480	4-R7
3	500X500	530X530	4-R7
4	700X400	730X430	4-R7
5	800X500	830X530	4-R7
6	900X450	930X480	4-R7
7	900X500	930X530	4-R7
8	900X550	830X580	4-R7
9	600X600	630X630	4-R7
10	1000X500	1030X530	4-R7
11	1000X600	1030X630	4-R7
12	1100X450	1130X480	4-R7
13	1100X550	1130X580	4-R7
14	1200X350	1230X380	4-R7
15	1200X500	1230X530	4-R7
16	1200X700	1230X730	4-R7
Other Sizes can be made as customers' requests after discussion			

Fitting Diagram



W: width of the window fitting surface; H: height of the fitting surface, unit:mm.

MTRW-FW Frame-less Window

Description

Main Material: high quality aluminum hinge

Double glazing acrylic glass

Color: back hinge, transparent gray glass

Maximum Opening Angle: 70 degree

Fitting: adjustable, 25-35mm

Other thickness can be customized

Features: · Window glass part and inner frame can be installed separately

· Two type inner frame with anti-insect net and sun blind for choosing

· Easy for opening and closing

· Applied two types optional support bars to make sure the windows to be open and stopped in several positions

· Large range of sizes for choosing

Main Functions

Open,close,ventilate,insulate, provide privacy,allow sunlight in, prevent insects, and good water seal. It can act as emergency exit, when the screen and blind are unlocked and window open.

Main Applications

Motorhome, caravan, trailer etc.

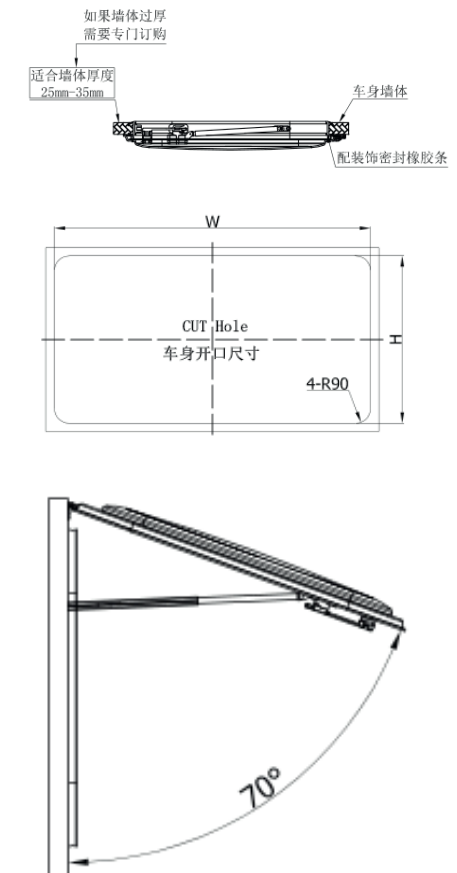
Specifications

Ser.	Ordering Size (WXH, mm)	Overall Size (WXH, mm)	Cut Hole Corner Radius
1	350X500	350x500	400x565
2	500X350	500X350	550X415
3	500X450	500X450	550X515
4	500X500	500X500	550X565
5	500X550	500X550	550X615
6	500X600	500X600	550X665
7	600X600	600X600	650X665
8	700X400	700X400	750X465
9	800X500	800X500	850X565
10	900X450	900X450	950X615
11	900X500	900X500	950X565
12	1000X500	1000X500	1050X565
13	1000X600	1000X600	1050X665
14	1000X800	1000X800	1050X865
15	1100X450	1100X450	1150X515
16	1100X550	1100X550	1150X615
17	1200X500	1200X500	1250X565
18	1450X550	1450X550	1500X615

W/H:width/height of the window fitting surface,unit: mm.



Fitting Diagram



MTFW RV Fixed Window

Product Description

Main Material: high quality aluminum alloy

ABS inner frame

Double glazed acrylic glass

Or flat tempered glass

Color: Outer frame: black,white, silver gray

Inner frame:white or beige

Glass: transparent gray

Installation Method:

Fitting: adjustable,25-35mm, 32-42mm (standard window)

Other thickness can be customized as customer' s requests

Feature: · Easy and quick installation

· Outer frame and inner frame are assembled separately

· Two type inner frames for choosing

· Variety standard sizes for choosing

· Customized sizes are available

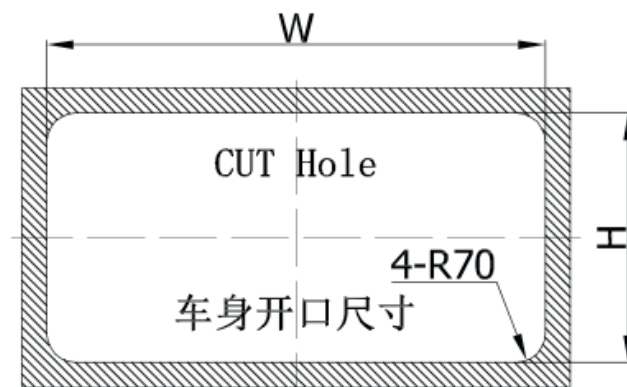
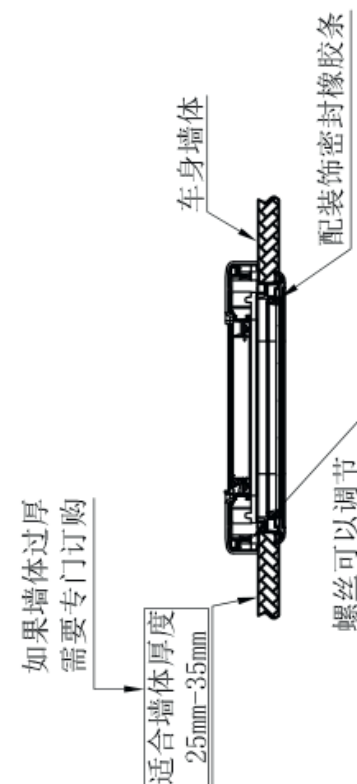
Main Functions

insulate, provide privacy,allow sunlight in, prevent insects, and good water seal.

Main Applications

All kinds of caravan, trailer, special vehicle etc..

Fitting Diagram



MTTW RV Skylight

Features and Main Functions

· Light weight aluminum frame

· Darkening system

· Internal point installation

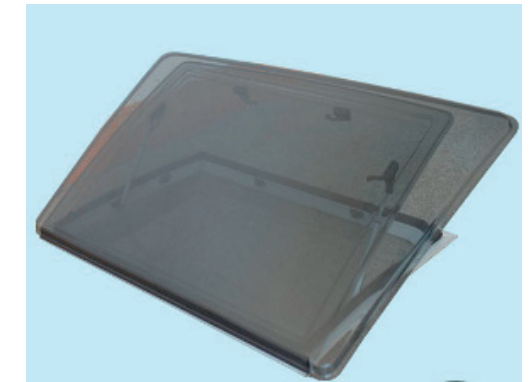
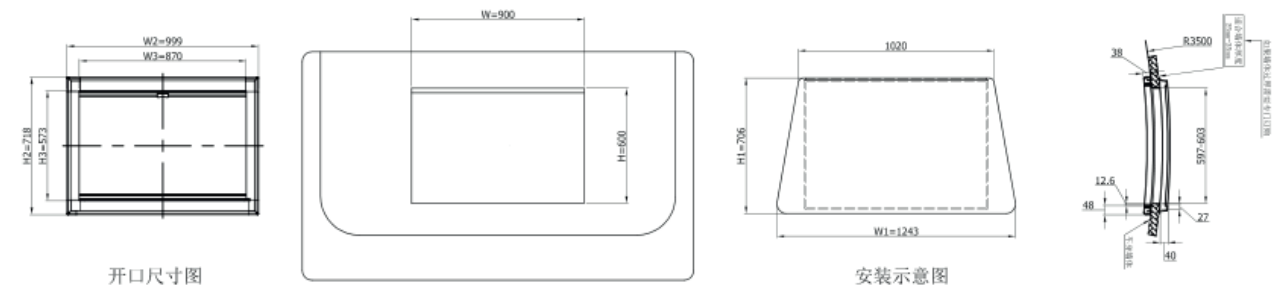
· For wall thickness 35mm

· Dark gray double glazed acrylic glass

· Radian: R3500mm(inner wall)

· Cut hole size: 903X603mm(curvature side)

Fitting Diagram



MTSL RV LED Skylight

Description

Type: roof window

Main Material: High quality aluminum alloy top frame

ABS inner frame with LED lights

Double glazed anti-UV acrylic cover

Color: top frame: black, white, silver gray

Inner Frame:white

Glass: transparent gray

Insect Net: white

Sunshade: white

Opening angle: 70 degree

Fitting: 25-35mm, 35-45mm, 45-55mm, 50-60mm(standard)

Other thickness can be fitted after customized treatment

Features: quick and easy for installation, with LED lights, with anti-insect net and sunshade

Main Functions

Open,close,ventilate,insulate, provide privacy,allow sunlight in, prevent insects, and good water seal. Besides, it is with LED lights for lighting function.

Main Applications

Caravan, trailer, modified car, special vehicle etc..

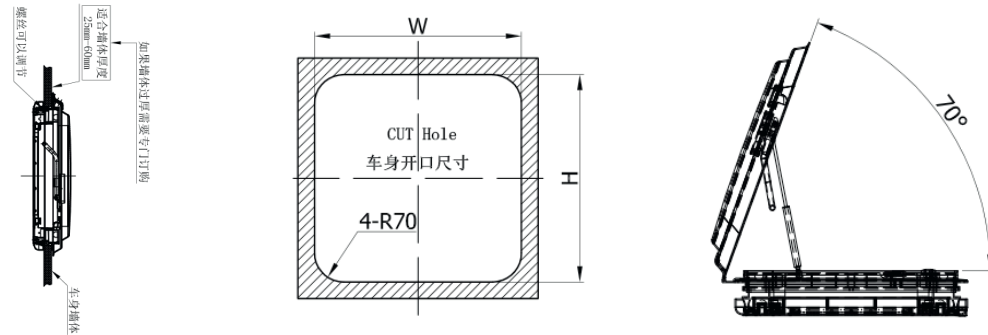


Specifications

Ser.	Ordering Size (WXH, mm)	Cut Hole Size (WXH, mm)	Overall Size (WXH, mm)	Cut Hole Corner Radius	Net Weight (KG)
1	500X500	500X500	574X574	4-R70	6.74
2	700X500	700X500	774X574	4-R70	9.30
3	800X500	800X500	874X574	4-R70	10.58

W: width of the skylight fitting surface, unit:mm; H: height of the skylight fitting surface, unit:mm.

Fitting Diagram



MTSLRV Skylight

Description

Type: roof window
 Main Material: high quality aluminum alloy top frame
 ABS inner frame without hole
 Or PU inner frame with hole
 Double glazing anti-UV acrylic cover
 Color: Outer frame: back, white, silver gray
 Inner frame: white
 Cover: transparent gray
 Opening Angle: 70 degree
 Fitting: adjustable, 25-35mm
 Other thickness can be fitted after customized treatment



Main Functions

Open,close,ventilate,insulate, provide privacy,allow sunlight in, prevent insects, and good water seal.

Main Applications

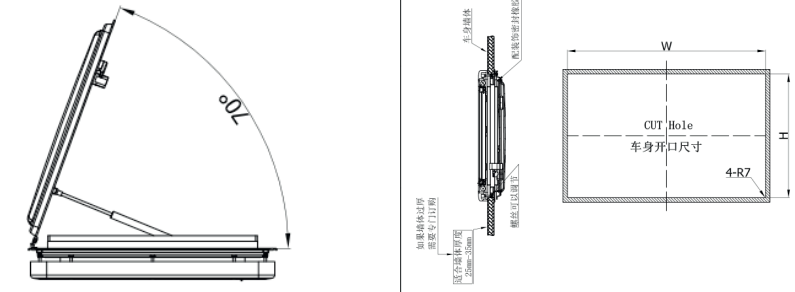
Motorhome,caravan, trailer, special vehicle etc.

Specifications

Ser.	Ordering Size (WXH, mm)	Cut Hole Size (WXH, mm)	Overall Size (WXH, mm)	Cut Hole Corner Radius	Net Weight (KG)
1	500X500	500X500	530X530	4-R7	5.10
2	800X500	800X500	730X830	4-R7	7.50

W: width of the skylight fitting surface; H:height of skylight fitting surface,unit:mm.

Fitting Diagram



MTRH Roof Hatch

Description

Description
 Main Material: anti-UV ABS material
 Color: white, transparent gray
 Power: 12V DC
 Fitting: adjustable, 25-60mm
 >60mm need to be customized treated
 Opening Method:Manual
 Features: · Easy and quick installation
 · With insect ne



Main Functions

Open,close,ventilate,insulate, provide privacy,allow sunlight in, prevent insects, and good water seal.

Main Applications

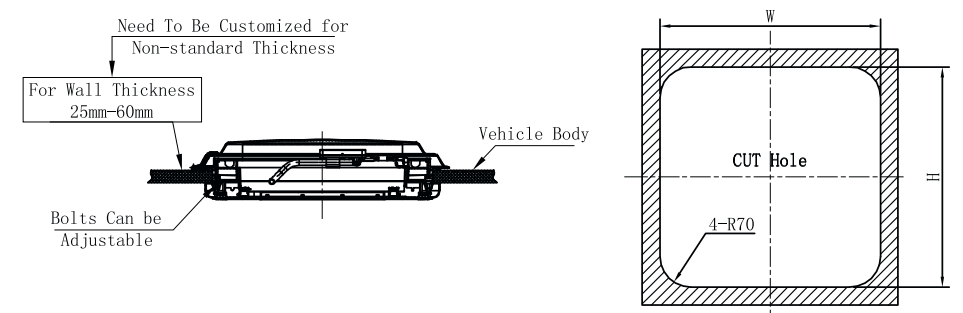
Suitable for small space in caravan, motorhome, trailer etc..

Specifications

Ser.	Ordering Size (WXH, mm)	Cut Hole Size (WXH, mm)	Overall Size (WXH, mm)	Cut Hole Corner Radius
1	280X280	280X280	375X365	4-R5

W: width of the hatch fitting surface, unit: mm; H:height of hatch fitting surface,unit:mm.

Fitting Diagram



MTLD RV Access Door

Description

Main Material: high tensile aluminum alloy
 aluminum alloy hinge
 aluminum sandwich panel
 tension-type lock
 Color: white, black, silver gray
 Fitting Method: screws fixed on the inside of the frame
 Fitting: 35-45mm
 Features: · Easy and quick installation
 · Can be open to 180 degree
 · H ≥ 350mm can be equipped with gas support rod
 · Customized sizes are available

Optional Accessory: gas support rod, door stopper

Main Application

Caravan, motorhome.

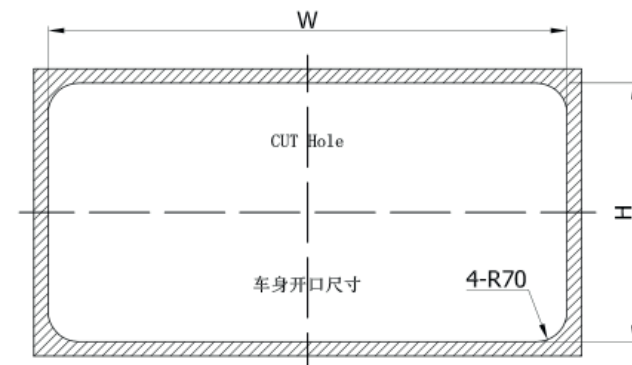
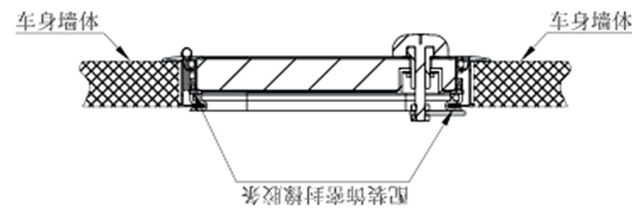
Specifications

Ser.	Size (W*H)	Ser.	Size (W*H)	Ser.	Size (W*H)
1	240X240	13	600X400	25	800X600
2	250X250	14	600X450	26	800X700
3	300X250	15	600X500	27	900X500
4	300X300	16	600X600	28	900X600
5	400X300	17	700X300	29	900X700
6	400X400	18	700X400	30	1000X400
7	400X450	19	700X500	31	1000X500
8	500X300	20	700X600	32	1000X600
9	500X400	21	700X700	33	1000X700
10	500X500	22	800X350	34	1100X500
11	600X300	23	800X400	35	1200X500
12	600X350	24	800X500	36	1400X600
Other customized sizes can be made after discussion.					

W/H: width/height of the door fitting surface, unit: mm



Fitting Diagram



MTABS Access Door

Product Description

Main Material: high quality anti-UV ABS
 Color: white
 Maximum Opening Angle: 170 degree
 Accessories: each door equipped with a lock
 Features: easy and quick installation, can be repainted.

Main Application

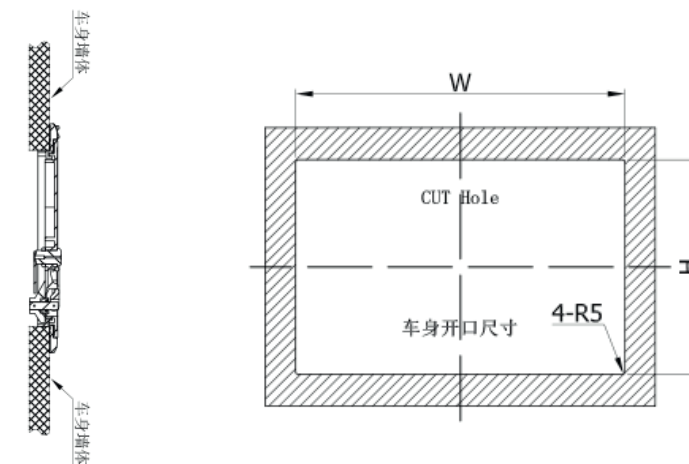
Motorhome, caravan, trailer etc..

Specification

Ser.	Ordering Size (WXH, mm)	Cut Hole Size (WXH, mm)	Overall Size (WXH, mm)	Cut Hole Corner Radius
1	355X235	355*235	420*300	4-R5

W: width of the door fitting surface, unit:mm, H: height of the door fitting surface, unit: mm

Fitting Diagram



MTRS RV Folding Step

Product Description

Type: Manual step
 Main Material: high tensile aluminum alloy
 carbon steel
 Color:silver (anodizing)
 Black structural member
 Maximum Static Load: 220KG
 Fitting Method: fixed in the chassis or stressed members
 Features: · Light weight, strong and durable
 · Rounded edge and anti-slip design
 · Reliable and safe
 · Adapt high tensile carbon steel as the pressure point



Main Functions

Act as a step for people get on and off.

Main Application

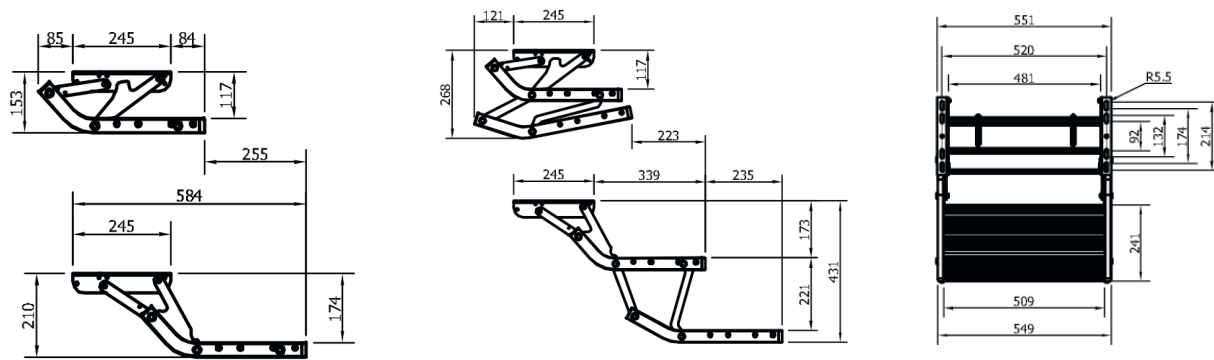
Caravan, trailer, motorhome etc..

Specifications



Ser.	Item Name	Model	Size (WXH, mm)	Net Weight(KG)
1	Single Step	MG16RS-ST	550X230	5.10
2	Double Step	MG16RS-DT	550X230	8.70
Other Sizes can be made after discussion.				

Fitting Diagram



Double Step

Single Step

MTWT Water Tank

Product Description

Type: clean water tank

Main Material: food grade PE

Color: black

Volume:75L

Fitting Method: fixed under the chassis

Main Application

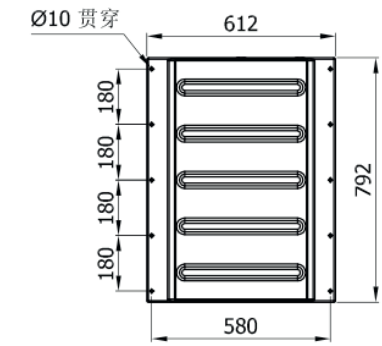
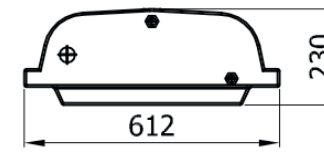
Suitable for trailer.

Specification

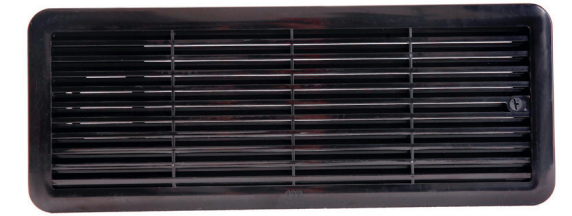
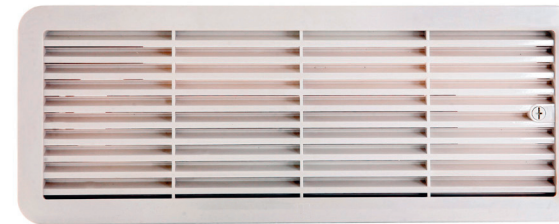
Ser.	Overall Size (W*H, mm)	Volume	Net Weight(KG)
1	792*612*230	75L	9.80



Fitting Diagram



MTAV Air Vent



Product Description

Main Material: anti-UV ABS material

Color: white or black

Fitting Method: Use screws to fix

Optional Accessory: anti-insect net

Features: easy or installation, good ventilation performance

Main Functions

Vent warm air from the cooling unit at the rear of the RV refrigerators out to prevent the heat build-up behind the refrigerator and contribute decisively to functioning at its maximum cooling capacity.

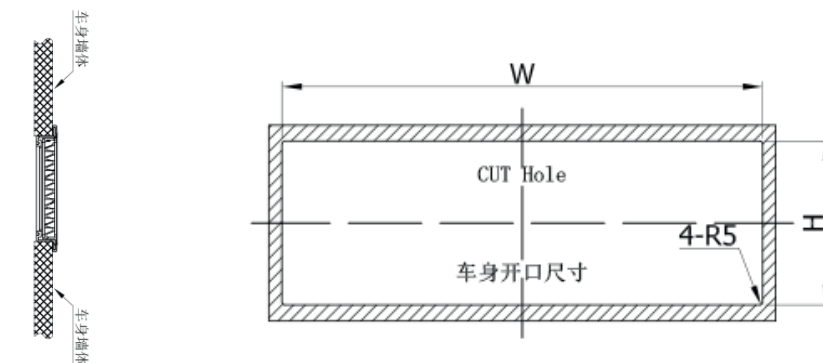
Main Application

Caravan, motorhome, trailer, modified car etc..

Specification

Ser.	Ordering Size (W*H, mm)	Cut Hole Size (W*H, mm)	Overall Size (W*H, mm)	Cut Hole Corner Radius
1	455X155	455X155	480X185	4-R5

Fitting Diagram



MTPT Picnic Table

Product Description

Main Material: high quality aluminum
 Stainless steel lock
 Color: black, white, silver gray
 Maximum Loading Capacity: 25KG
 Accessories: two locks and keys
 Fitting Method: fixed on the body by screws
 Features: · Easy for installation,
 · Folding type design can save space
 · Customized sizes are available



Main Functions

Open, close, used as a table.

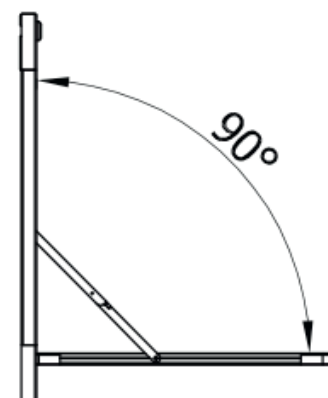
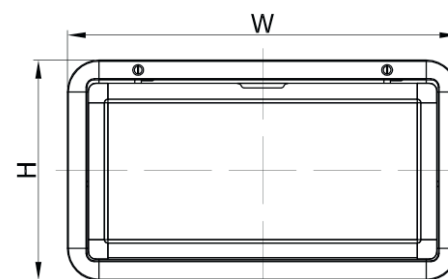
Main Application

Caravan, motorhome, travel trailer, modified car etc..

Specification

Ser.	Ordering Size (W*H, mm)	Overall Size (W*H, mm)
1	500X300	500X300
2	500X400	500X400
3	600X400	600X400
4	600X450	600X450
5	600X500	600X500
6	700X400	700X400
7	700X450	700X450
8	700X500	700X500
9	800X400	800X400
10	800X450	800X450
11	800X500	800X500
12	900X400	900X400
13	900X450	900X450
14	900X500	900X500
15	1000X450	1000X450
16	1000X500	1000X500
Other Sizes can be made as requested.		

Fitting Diagram



W: width of the table overall size, height of the table overall size, unit:mm.

Economical Full Cassette RV Awning W5500

This is light weight Economical RV awning which designed with a cassette and will offer better protection for the whole awning system when awning closed.
 Available max. width 400cm, Max.extension size 200cm. Polyester-, acrylic- and PVC-fabrics can be chosen.

Size Range

Max. width 400cm ,
 max.extension size 200cm Below 350cm,
 Any size within this range is available to be customized.

Frame color

Standard color: white
 Special color can be customized

Features

Economical type
 Idea for small caravan, vehicles and passenger vehicles.
 Manual crank handle system or motorized system.

Optional systems:

Motorized and crank handle (switch control) Manual (with crank handle)



CARAVAN AWNING W5700/W5700C

Size Range

W5700 & W5700C max. width 600cm

Extension size max. 250 cm.

Any size within this range is available to be customized.

Frame color

Standard color: white

Special color can be customized

Features ;

- Strong frame make the awning more durable.
- Modular type design to easy transport and save freight cost.
- Switch control and manual control.
- LED strip, Anti-Flap Bar, wall kit as an extra option.



W5700C

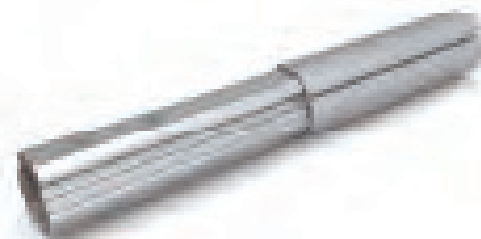
W5700C is the moulder type, the only difference with the W5700 is on the fabric roller tube. W5700C fabric roller tubes are connected by tube connector, this type very good for transportation and save freight cost.



Roller mechanism



Side view



Connector

Caravan Awning W5900

DESCRIPTION

NEW Full Cassette RV Awning W5900

New design RV awning which can fix on the vertical side of the car, this model feature a larger projection than the economical type awning, projection 250cm, Max. width 500cm. which extra large shading area.

Features

Strong, precise arms with solid cassette combined to ensure always taut cover.

Support legs and spring arms provide a maximum of wind stability.

Large size, more extra shading area.

Manual crank handle system or motorized system with a crank handle backup system can be chosen.

Size Range

Max. width 500cm

Max. extension size 250cm

Optional systems:

Motorized and crank handle (switch control)

Manual (with crank handle)

Frame color

Standard color: White

Special colors: on request

